

# JIBOHYD



慈溪市吉博液压配件有限公司

Cixi jibo hydraulic parts co.,ltd.

# CONTENTS

## 目录

### 产品代号索引 Part No.Index

*Flow divider/同步分流阀* 1-2

*Pilot operated check valve/先导式止回阀* 3-5

*Counterbalance valve/平衡阀* 6

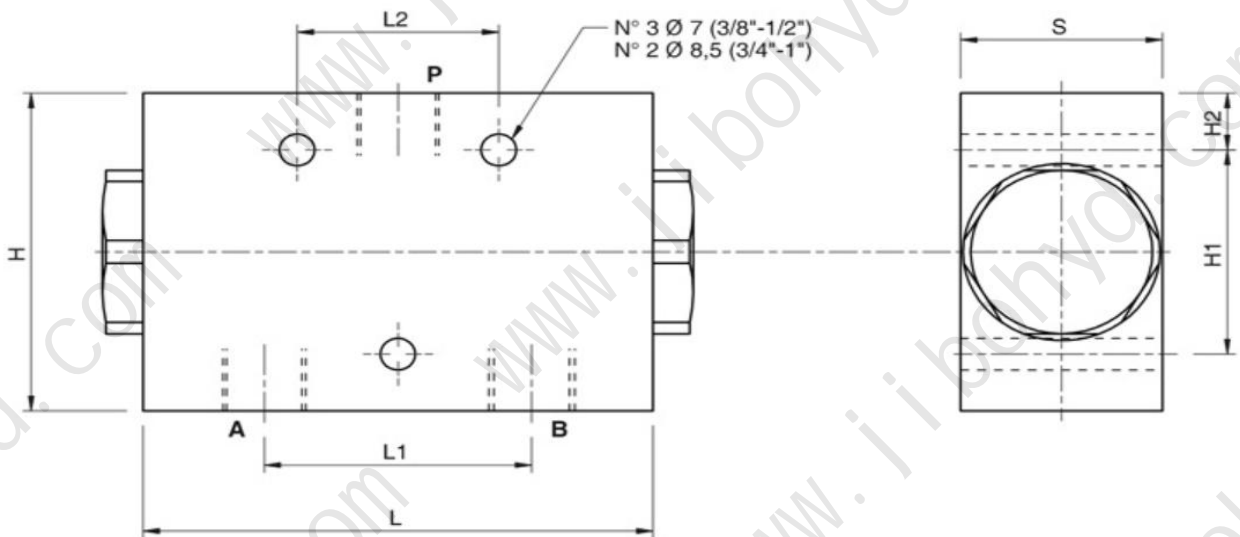
*Relief valve/安全阀* 7-8

*Check valve/单向阀* 9-15

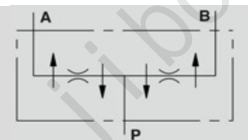
*Hose burst valve/管路防爆阀* 16

*Swivel Joint/旋转接头* 17-18

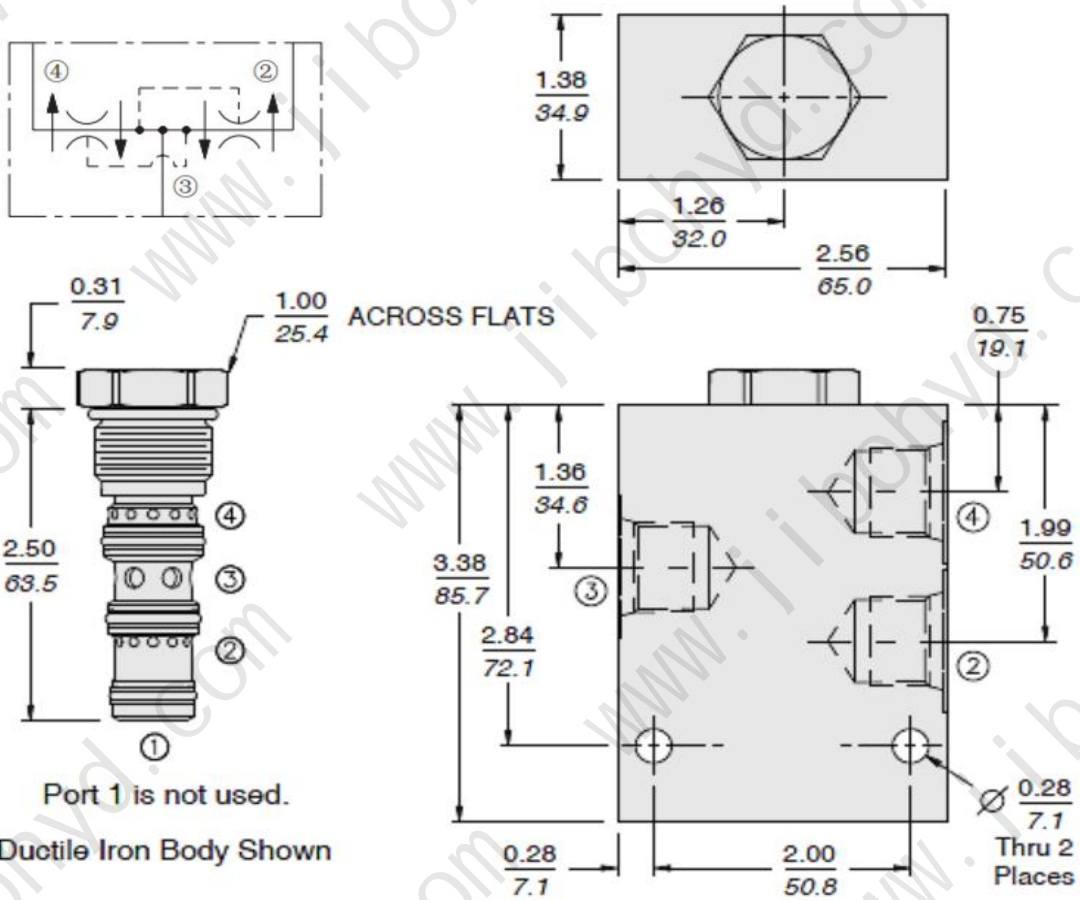
*Flow control valve/流量调节阀* 19-22

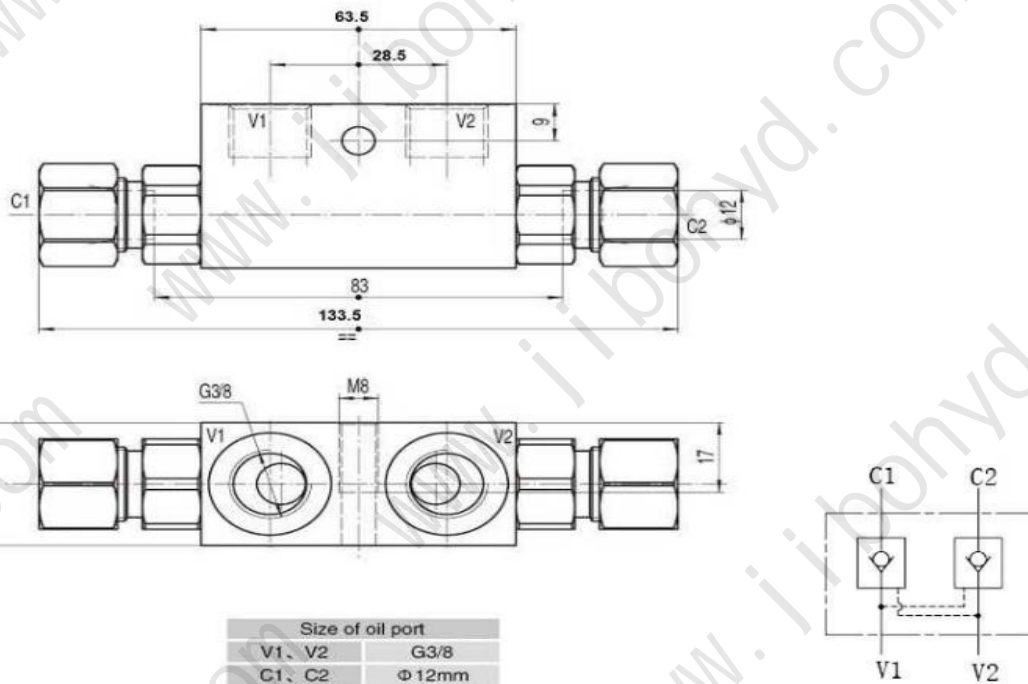


PART NUMBER	P	A-B	L	L1	L2	H	H1	H2	S
DFL25-40	G1/2	G3/8	117	52	40	70	45	13	40



FLOW DIVIDER  
HYDRAULIC PUMP FLOW DIVIDER





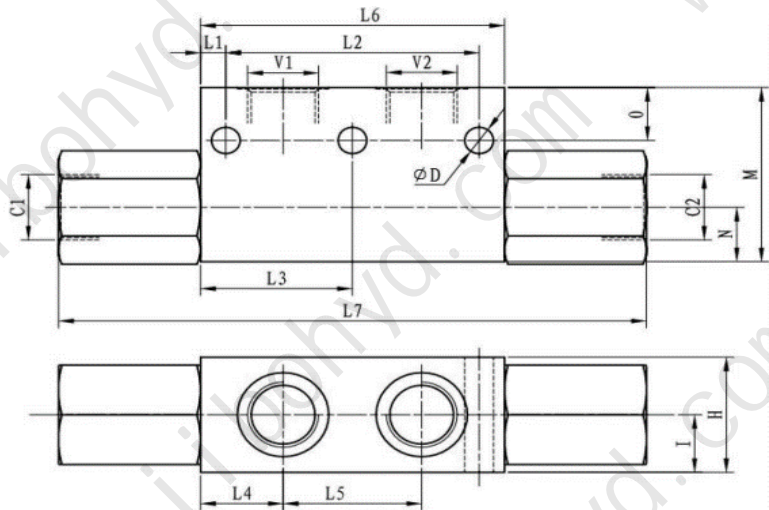
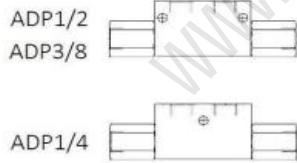
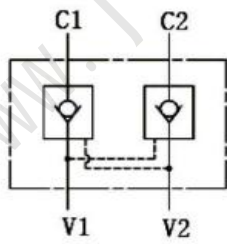
Part n°	R1	FLOW MAX (l/min)	MAX. PRESSURE (bar)	Pilot ratio
ADPT3/8	3/8" BSP	30	315	1:4

\*\*\* Review attached PDF\*\*\*  
KADPT3 / 8 same as ADPT3 / 8 but without nut and ring.



PILOT OPERATED CHECK VALVE  
DOUBLE PILOT OPERATED CHECK VALVE

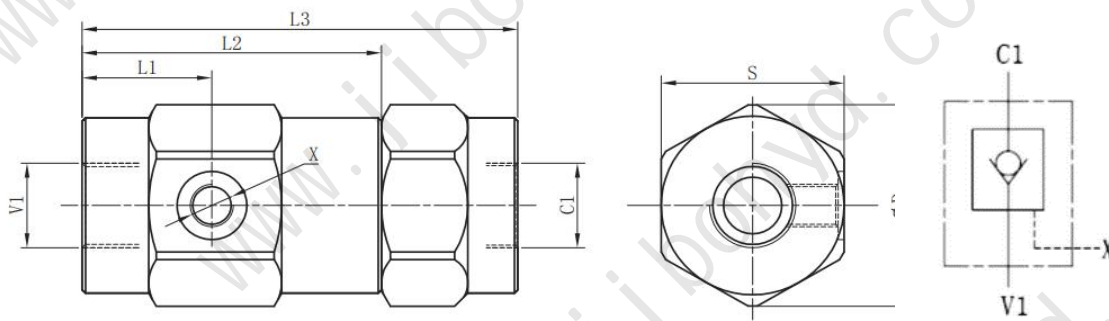
慈溪市吉博液压配件有限公司  
CIXI JIBO HYDRAULIC PARTS CO.,LTD.



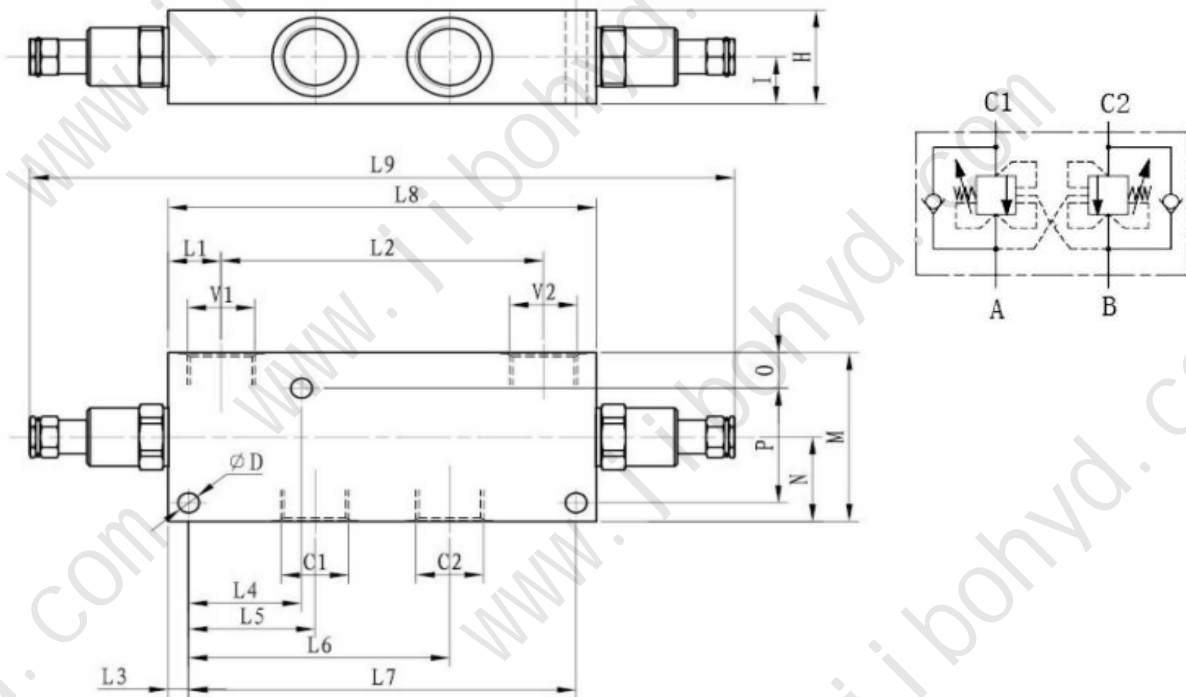
Part Number	L1	L2	L3	L4	L5	L6	L7	O	N	M	I	H	Φ D	V1 C1 V2 C2	Maximum rotational speed (RPM)	Maximum working pressure	Poilt ratio
ADP 1/4	-	-	32	18	29	63	130	8	14	43	15	29	6.5	G1/4	15	315	4:01
ADP 3/8	-	-	32	17	30	64	153	9	15	45	15	30	6	G3/8	35	315	5.2:1
ADP 1/2	7.5	7.5	-	25	41	90	174	17	18	56	19	37	8.5	G1/2	50	315	4.3:1

PILOT OPERATED CHECK VALVE  
SINGLE PILOT OPERATED CHECK VALVE

慈溪市吉博液压配件有限公司  
CIXI JIBO HYDRAULIC PARTS CO.,LTD.

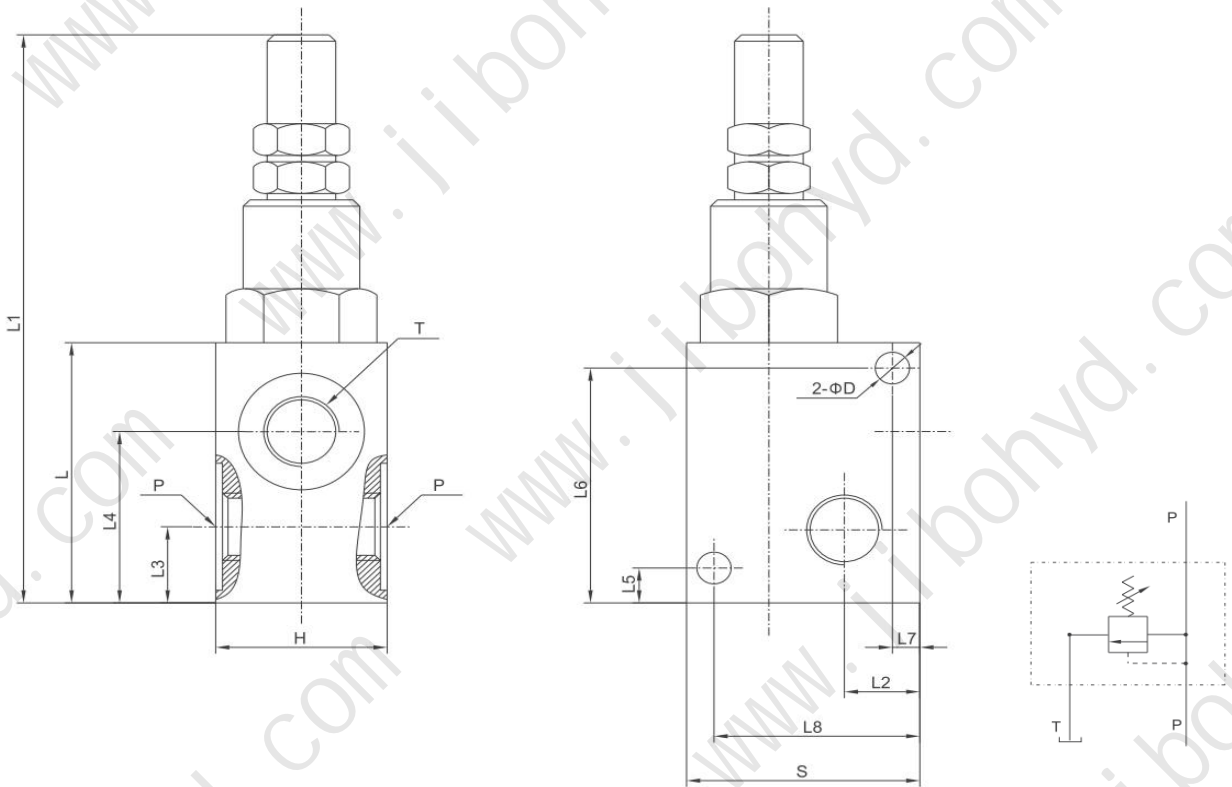


Part Number	L1	L2	L3	V1/C1	X	S	Φ D	Maximum rotational speed (RPM)	Maximum working pressure	Poilt tatio
ASP 1/4	29	78	101.5	G1/4	G1/4	40	44	25	350	4.7:1
ASP 3/8	31.5	82	106	G3/8	G1/4	41	45	35	350	4.4:1
ASP 1/2	36	85	120	G1/2	G1/4	44	47	50	350	4.6:1
ASP 3/4	39	100	145	G3/4	G1/4	55	62	100	300	3.8:1



Part Number	L1	L2	L3	L4	L5	L6	L7	L8	L9	O	P	N	M	I	H	Φ D	V1 V2	C1 C2	FLOW MAX (l/min)	MAX.PRESSURE (BAR)	REG.RATE (BAR)	POILT RATIO
OBDL 3/8 20	18	94	10	32	34	76	110	130	229	6	40	28	56	15	30	7	G3/8		50	315	60-210	4.3:1
OBDL 3/8 35	18	94	10	32	34	76	110	130	229	6	40	28	56	15	30	7	G3/8		50	315	100-315	4.3:1

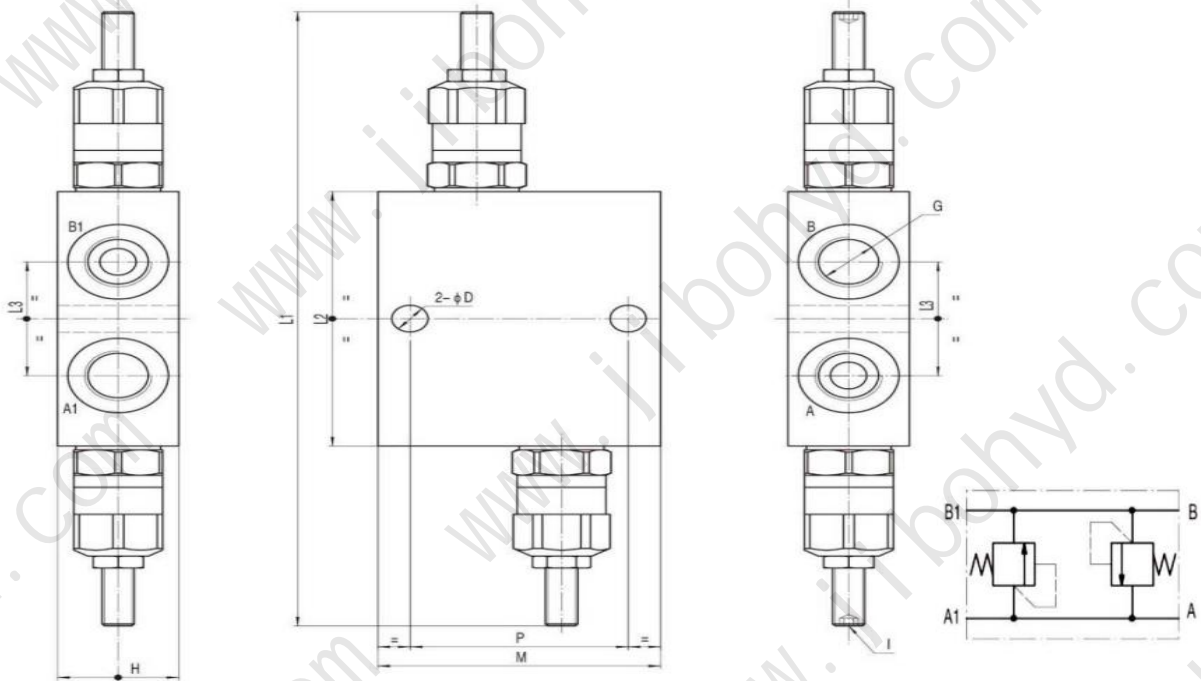




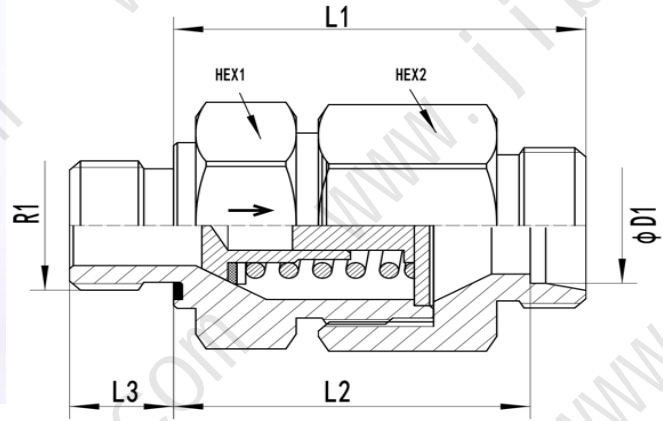
Part Number	P/T	L	L1	L2	L3	L4	L5	L6	L7	L8	D	H	S
VMP3/8L	G3/8	52	117	12	15	36	7	50	5	35	6.5	30	40

RELIEF VALVE  
DUAL CROSS RELIEF VALVE

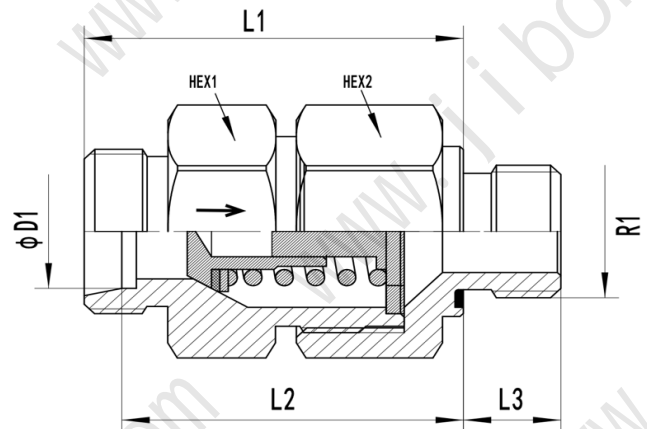
慈溪市吉博液压配件有限公司  
CIXI JIBO HYDRAULIC PARTS CO.,LTD.



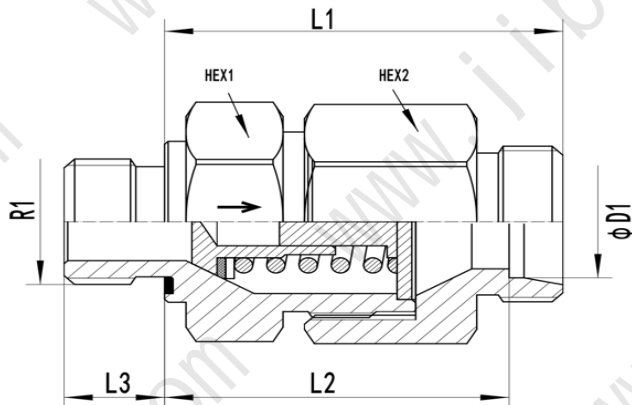
Part Number	G	L1	L2	L3	H	P	M	D	I	Maximum rotational speed (RPM)	Maximum working pressur	Setting (bar)	Reg. rate (bar)
LDL 3/8 10	G3/8	205	85	38	30	54	70	9	S4	45	315	100	0-100
LDL 3/8 20	G3/8	205	85	38	30	54	70	9	S4	45	315	50	70-210
LDL 3/8 35	G3/8	205	85	38	30	54	70	9	S4	45	315	100	100-315
LDL 1/2 05	G1/2	215	85	44	32	60	88	9	S4	60	315	30	0-50
LDL 1/2 35	G1/2	215	85	44	32	60	88	9	S4	60	315	70	100-315



PART NO.	$\phi D1$	SERIES	R1	Working Pressure (bar)	L1	L2	L3	HEX1	HEX2
RHV06LR1/8	6	L	1/8"BSP	315	35	28	8	17	17
RHV08LR1/4	8	L	1/4"BSP	315	37	30	12	19	19
RHV10LR1/4	10	L	1/4"BSP	315	45.5	38.5	12	22	24
RHV12LR3/8	12	L	3/8"BSP	315	49.5	42.5	12	27	30
RHV15LR1/2	15	L	1/2"BSP	315	52.5	45.5	14	27	32
RHV18LR1/2	18	L	1/2"BSP	315	57.5	50	14	36	36
RHV22LR3/4	22	L	3/4"BSP	160	62.5	55	16	41	46
RHV28LR1	28	L	1"BSP	160	70.5	63	18	50	55
RHV35LR1-1/4	35	L	1-1/4"BSP	160	79.5	69	20	60	60
RHV42LR1-1/2	42	L	1-1/2"BSP	160	80	69	22	65	70
RHV06SR1/4	6	S	1/4"BSP	630	38.5	31.5	12	17	19
RHV08SR1/4	8	S	1/4"BSP	630	38.5	31.5	12	17	19
RHV10SR3/8	10	S	3/8"BSP	630	45.5	38	12	22	24
RHV12SR3/8	12	S	3/8"BSP	630	48.5	41	12	24	27
RHV14SR1/2	14	S	1/2"BSP	630	52.5	44.5	14	27	32
RHV16SR1/2	16	S	1/2"BSP	400	56.5	48	14	32	36
RHV20SR3/4	20	S	3/4"BSP	400	62.5	52	16	38	41
RHV25SR1	25	S	1"BSP	400	66.5	54.5	18	46	50
RHV30SR1-1/4	30	S	1-1/4"BSP	400	77.5	64	20	55	60
RHV38SR1-1/2	38	S	1-1/2"BSP	400	85.5	69.5	22	65	70

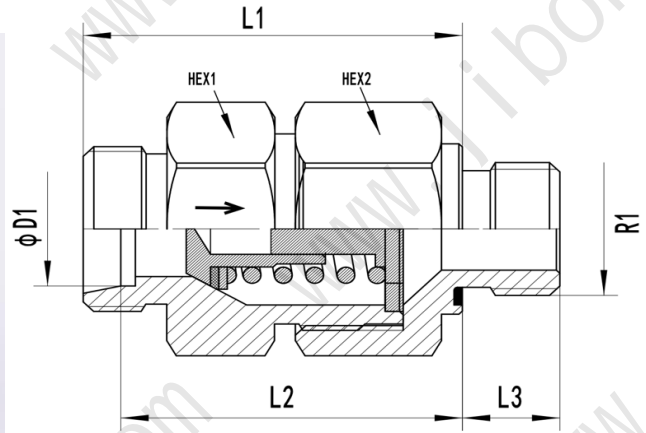


PART NO.	φD1	Series	R1	Working Pressure(bar)	L1	L2	L3	HEX1	HEX2
RHZ06LR1/8	6	L	1/8"BSP	315	33.5	26.5	8	17	17
RHZ08LR1/4	8	L	1/4"BSP	315	35.5	28.5	12	19	19
RHZ10LR1/4	10	L	1/4"BSP	315	45.5	38.5	12	22	24
RHZ12LR3/8	12	L	3/8"BSP	315	47.5	40.5	12	27	30
RHZ15LR1/2	15	L	1/2"BSP	315	49.5	42.5	14	27	32
RHZ18LR1/2	18	L	1/2"BSP	315	55.5	48	14	36	36
RHZ22LR3/4	22	L	3/4"BSP	160	63.5	56	16	41	46
RHZ28LR1	28	L	1"BSP	160	71.5	64	18	50	55
RHZ35LR1-1/4	35	L	1-1/4"BSP	160	80.5	70	20	60	60
RHZ42LR1-1/2	42	L	1-1/2"BSP	160	81.5	70.5	22	65	70
RHZ06SR1/4	6	S	1/4"BSP	630	38.5	31.5	12	17	19
RHZ08SR1/4	8	S	1/4"BSP	630	38.5	31.5	12	17	19
RHZ10SR3/8	10	S	3/8"BSP	630	45.5	38	12	22	24
RHZ12SR3/8	12	S	3/8"BSP	630	48.5	41	12	24	27
RHZ14SR1/2	14	S	1/2"BSP	630	51.5	43.5	14	27	32
RHZ16SR1/2	16	S	1/2"BSP	400	54.5	48	14	32	36
RHZ20SR3/4	20	S	3/4"BSP	400	60.5	50	16	38	41
RHZ25SR1	25	S	1"BSP	400	66.5	54.5	18	46	50
RHZ30SR1-1/4	30	S	1-1/4"BSP	400	77.5	64	20	55	60
RHZ38SR1-1/2	38	S	1-1/2"BSP	400	87.5	71.5	22	65	70



PART NO.	ΦD1	SERIES	R1	Working Pressure(bar)	L1	L2	L3	HEX1	HEX2
RHV06LM10*1	6	L	1/8"BSP	315	35	28	8	17	17
RHV08LM12*1.5	8	L	1/4"BSP	315	37	30	12	19	19
RHV10LM14*1.5	10	L	1/4"BSP	315	45.5	38.5	12	22	24
RHV12LM16*1.5	12	L	3/8"BSP	315	49.5	42.5	12	27	30
RHV15LM18*1.5	15	L	1/2"BSP	315	52.5	45.5	14	27	32
RHV18LM22*1.5	18	L	1/2"BSP	315	57.5	50	14	36	36
RHV22LM26*1.5	22	L	3/4"BSP	160	62.5	55	16	41	46
RHV28LM33*2	28	L	1"BSP	160	70.5	63	18	50	55
RHV35LM42*2	35	L	1-1/4"BSP	160	79.5	69	20	60	60
RHV42LM48*2	42	L	1-1/2"BSP	160	80	69	22	65	70
RHV06SM12*1.5	6	S	1/4"BSP	630	38.5	31.5	12	17	19
RHV08SM14*1.5	8	S	1/4"BSP	630	38.5	31.5	12	17	19
RHV10SM16*1.5	10	S	3/8"BSP	630	45.5	38	12	22	24
RHV12SM18*1.5	12	S	3/8"BSP	630	48.5	41	12	24	27
RHV14SM20*1.5	14	S	1/2"BSP	630	52.5	44.5	14	27	32
RHV16SM22*1.5	16	S	1/2"BSP	400	56.5	48	14	32	36
RHV20SM27*2	20	S	3/4"BSP	400	62.5	52	16	38	41
RHV25SM33*2	25	S	1"BSP	400	66.5	54.5	18	46	50
RHV30SM42*2	30	S	1-1/4"BSP	400	77.5	64	20	55	60
RHV38SM48*2	38	S	1-1/2"BSP	400	85.5	69.5	22	65	70

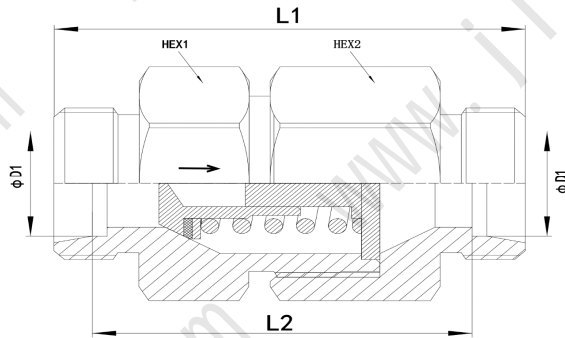




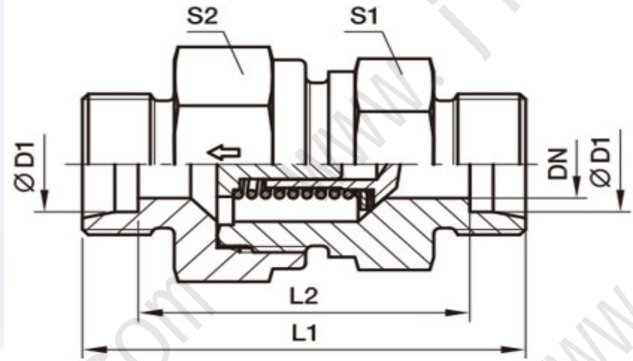
PART NO.	φD1	Series	R1	Working Pressure(bar)	L1	L2	L3	HEX1	HEX2
RHZ06LM10*1	6	L	1/8"BSP	315	33.5	26.5	8	17	17
RHZ08LM12*1.5	8	L	1/4"BSP	315	35.5	28.5	12	19	19
RHZ10LM14*1.5	10	L	1/4"BSP	315	45.5	38.5	12	22	24
RHZ12LM16*1.5	12	L	3/8"BSP	315	47.5	40.5	12	27	30
RHZ15LM18*1.5	15	L	1/2"BSP	315	49.5	42.5	14	27	32
RHZ18LM22*1.5	18	L	1/2"BSP	315	55.5	48	14	36	36
RHZ22LM26*1.5	22	L	3/4"BSP	160	63.5	56	16	41	46
RHZ28LM33*2	28	L	1"BSP	160	71.5	64	18	50	55
RHZ35LM42*2	35	L	1-1/4"BSP	160	80.5	70	20	60	60
RHZ42LM48*2	42	L	1-1/2"BSP	160	81.5	70.5	22	65	70
RHZ06SM12*1.5	6	S	1/4"BSP	630	38.5	31.5	12	17	19
RHZ08SM14*1.5	8	S	1/4"BSP	630	38.5	31.5	12	17	19
RHZ10SM16*1.5	10	S	3/8"BSP	630	45.5	38	12	22	24
RHZ12SM18*1.5	12	S	3/8"BSP	630	48.5	41	12	24	27
RHZ14SM20*1.5	14	S	1/2"BSP	630	51.5	43.5	14	27	32
RHZ16SM22*1.5	16	S	1/2"BSP	400	54.5	48	14	32	36
RHZ20SM27*2	20	S	3/4"BSP	400	60.5	50	16	38	41
RHZ25SM33*2	25	S	1"BSP	400	66.5	54.5	18	46	50
RHZ30SM42*2	30	S	1-1/4"BSP	400	77.5	64	20	55	60
RHZ38SM48*2	38	S	1-1/2"BSP	400	87.5	71.5	22	65	70

Check valves  
RHD SERIES

慈溪市吉博液压配件有限公司  
CIXI JIBO HYDRAULIC PARTS CO.,LTD.

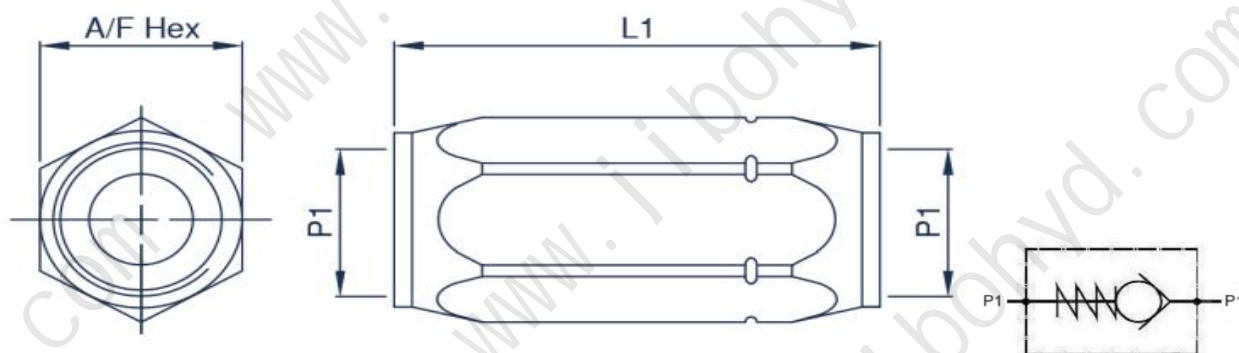
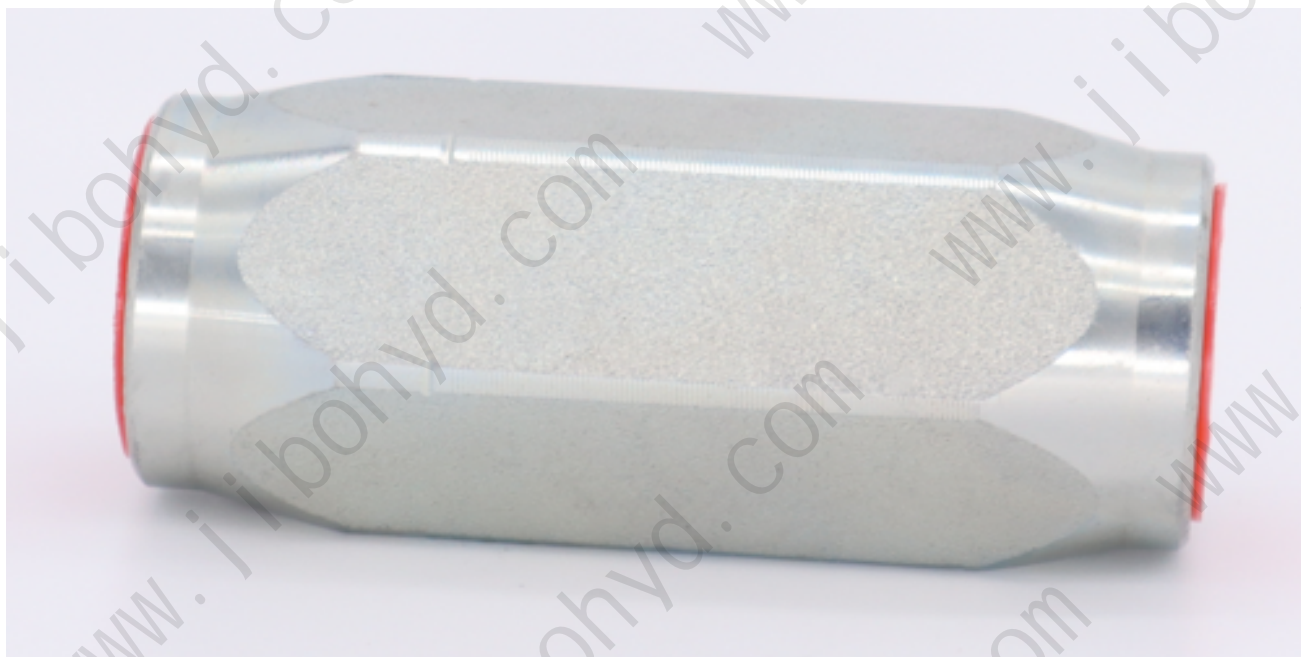


PART NO.	ΦD1	Series	Working Pressure(bar)	L1	L2	HEX1	HEX2
RHD06L	6	L	400	43	29	17	17
RHD08L	8	L	400	44	30	19	19
RHD10L	10	L	400	54.5	40.5	22	24
RHD12L	12	L	400	57.5	43.5	27	30
RHD15L	15	L	315	61.5	47.4	27	32
RHD18L	18	L	250	66.5	51.5	36	36
RHD22L	22	L	250	76.5	61.5	41	46
RHD28L	28	L	160	84.5	69.5	50	55
RHD35L	35	L	160	95.5	74.5	60	60
RHD42L	42	L	160	96	74	65	70
RHD06S	6	S	420	48.5	34.5	19	19
RHD08S	8	S	420	48.5	34.5	19	19
RHD10S	10	S	420	55.5	40.5	22	24
RHD12S	12	S	420	57.5	42.5	24	27
RHD14S	14	S	420	63.5	47.5	27	32
RHD16S	16	S	420	67.5	50.5	32	36
RHD20S	20	S	250	75.5	54.5	38	41
RHD25S	25	S	250	82.5	58.5	46	50
RHD30S	30	S	250	96.5	69.5	55	60
RHD38S	38	S	250	107.5	75.5	65	70



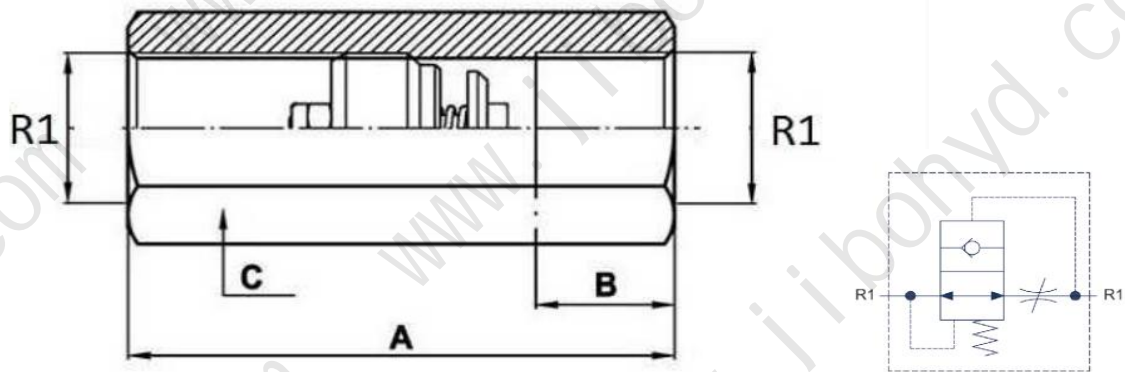
PART NO.	T1	D1	L1	L2	L3	S1	S2
RHDI 1/8	G1/8	19	42.5	12	8	19	19
RHDI 1/4	G1/4	19	51	16	12	19	19
RHDI 3/8	G3/8	24	60	17	12	24	27
RHDI 1/2	G1/2	32	72	20	15	32	36
RHDI 3/4	G3/4	41	84	22	16.5	41	46
RHDI 1	G1	46	95	25.5	19	46	50
RHDI1-1/4	G1-1/4	60	110	28	21.5	60	60
RHDI1-1/2	G1-1/2	65	114	28.5	22	65	70

Check valves  
INLINE CHECK VALVE SERIES



Part Number	A/F	P1	L1	Maximum working pressure	Burst pressure	Rated flow
CV 1/4	19	1/4	58	400	1200	12
CV 3/8	24	3/8	62	400	1200	23
CV 1/2	30	1/2	79	350	1050	45
CV 3/4	36	3/4	83	350	1050	100
CV 1	45	1	106	350	1050	189
CV 1-1/4	55	1-1/4	127	250	750	250
CV 1-1/2	65	1-1/2	140	250	750	379
CV 2	75	2	160	250	750	757
				Pressure in bar - Flow in LPM		

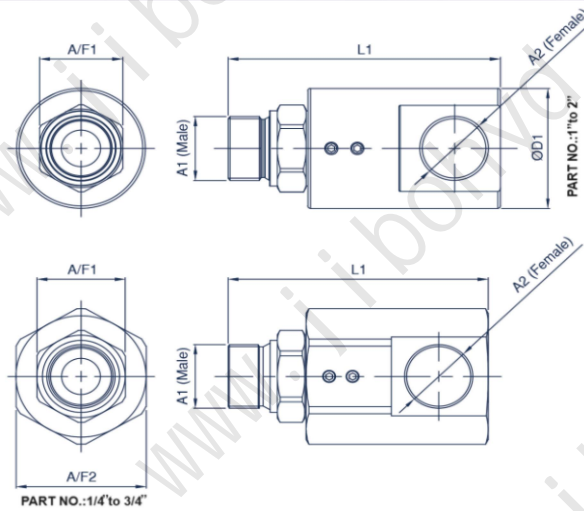
Hose burst valve  
Hose burst valve (female-female)



Materials: All components are steel made.

Part Number	R1	Max.flow (l/min)	Max.press (bar)	A	B	C
FFP 1/4	1/4"BSP	25	350	48	12	19
FFP 3/8	3/8"BSP	50	350	52	14	24
FFP 1/2	1/2"BSP	80	350	62	16	27
FFP 3/4	3/4"BSP	150	350	75	22	36
FFP 1	1"BSP	200	300	80	25	46

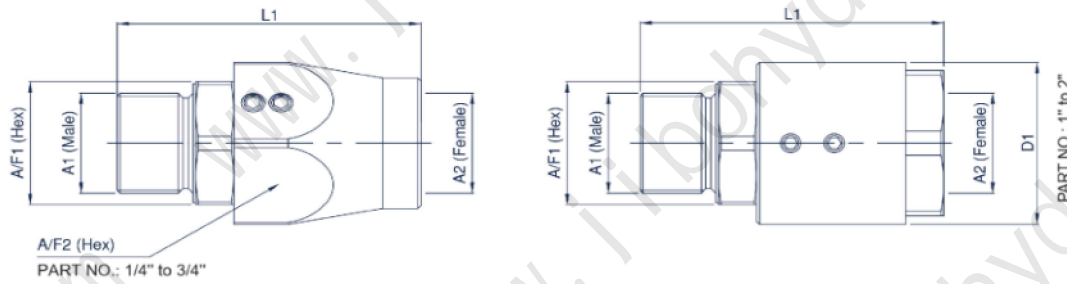




Part Number	A1/A2	A/F1	L1	A/F2 or D1	Maximum working pressure	Maximum flow rate	Maximum rotational speed (RPM)
GG90 1/4	1/4" BSP	19	72	30	400	25	500
GG90 3/8	3/8" BSP	24	79	34	400	45	400
GG90 1/2	1/2" BSP	27	90	36	360	80	370
GG90 3/4	3/4" BSP	34	100	46	310	120	280
GG90 1	1" BSP	41	123	59	280	150	230
GG90 1-1/4	1-1/4" BSP	50	134	79	250	200	200
GG90 1-1/2	1-1/2" BSP	55	138	89	210	250	170
GG90 2	2" BSP	70	159	98	180	300	140

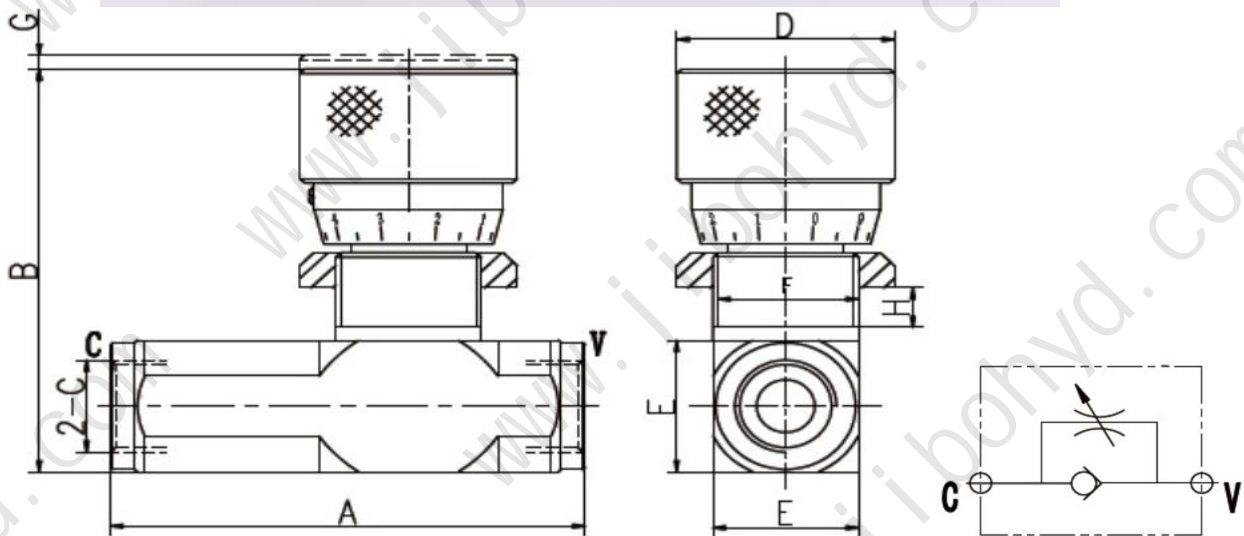
Pressure in bar-Flow in LPM

ROTARY JOINT  
STRAIGHT ROTARY JOINT



Part Number	A1/A2	A/F1	L1	A/F2 or D1	Maximum working pressure	Maximum flow rate	Maximum rotational speed (RPM)
GGIL 1/4	1/4" BSP	19	63	30	400	25	500
GGIL 3/8	3/8" BSP	24	66	34	400	45	400
GGIL 1/2	1/2" BSP	27	71	36	360	80	370
GGIL 3/4	3/4" BSP	34	82	46	310	120	280
GGIL 1	1" BSP	41	89	59	280	150	230
GGIL 1-1/4	1-1/4" BSP	50	98	79	250	200	200
GGIL 1-1/2	1-1/2" BSP	55	107	89	210	250	170
GGIL 2	2" BSP	70	117	98	180	300	140

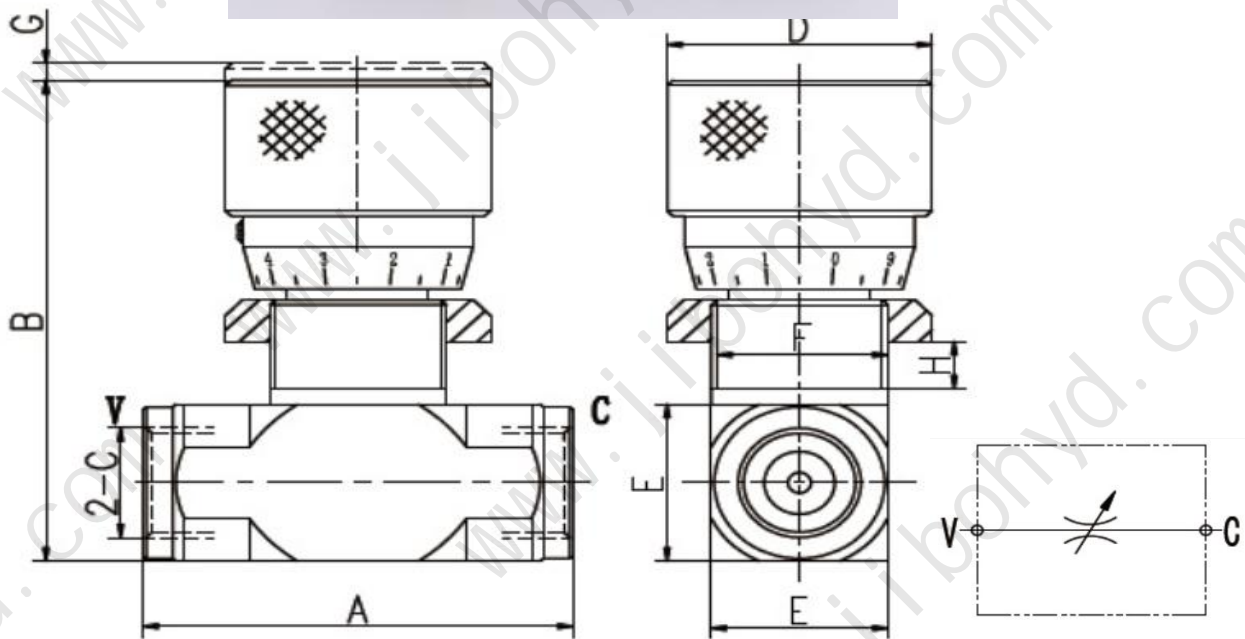
Pressure in bar-Flow in LPM



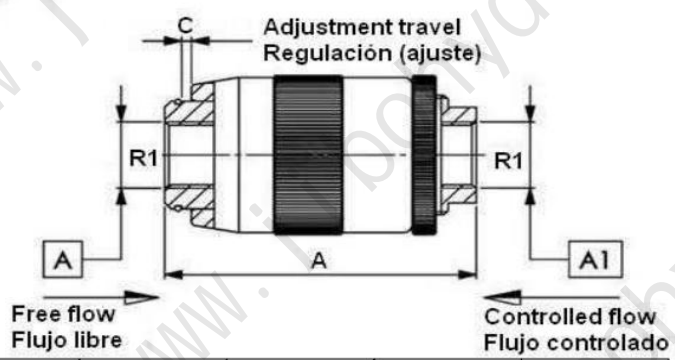
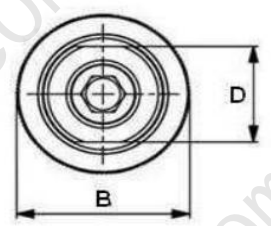
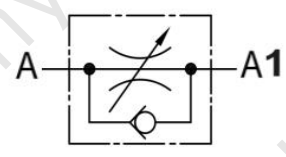
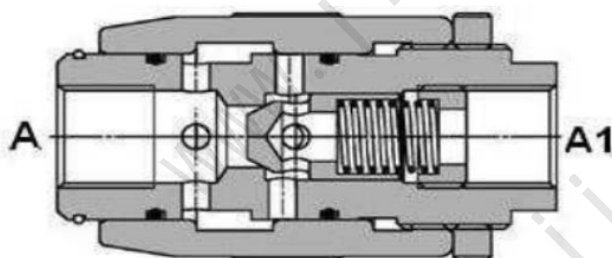
Part Number	C	A	B	D	E	F	Maximum rotational speed (RPM)	Maximum working pressure(bar)
RCU1/4	G1/4	73	82	30	25	M22*1.5	12	320
RCU3/8	G3/8	83	82	30	25	M22*1.5	30	320
RCU1/2	G1/2	94	87	30	30	M22*1.5	50	320
RCU3/4	G3/4	118	110	42	40	M35*1.5	85	250
RCU1	G1	135	110	42	40	M35*1.5	120	250

Flow control valve  
FLOW REGULATOR VALVES NO CHECK

慈溪市吉博液压配件有限公司  
CIXI JIBO HYDRAULIC PARTS CO.,LTD.



Part Number	C	A	B	D	E	F	Maximum rotational speed (RPM)	Maximum working pressure(bar)
RCB1/4	G1/4	60	82	30	25	M22*1.5	12	320
RCB3/8	G3/8	61	82	30	25	M22*1.5	30	320
RCB1/2	G1/2	70	87	30	30	M22*1.5	50	320
RCB3/4	G3/4	89	110	42	40	M35*1.5	85	250
RCB1	G1	90	110	42	40	M35*1.5	120	250

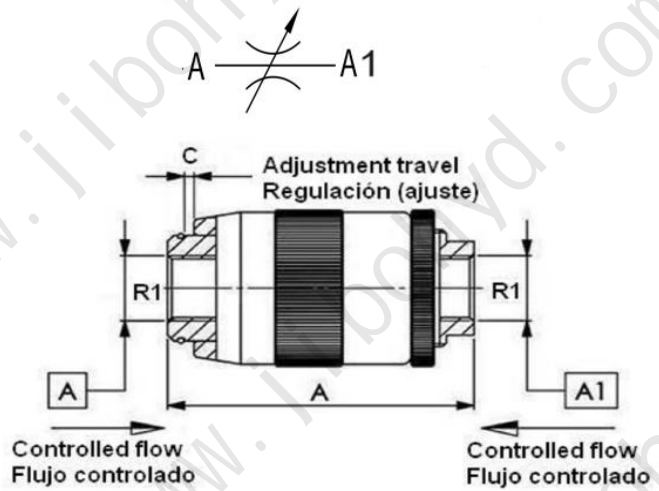
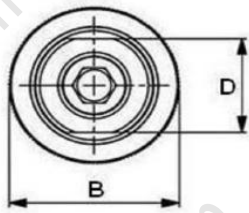
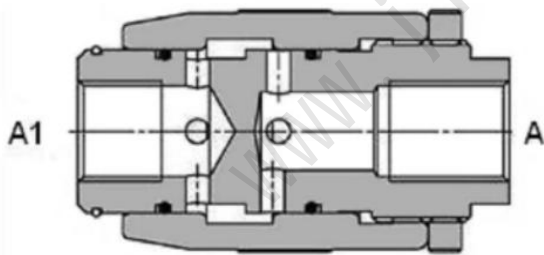


Part nº	R1	Max. flow (l/min)	Max. Press. (bar)	A	B	C	D
ECU04	1/4" BSP	12	350	62	34	4,5	19
ECU06	3/8" BSP	30	350	72	40	5,5	24
ECU08	1/2" BSP	45	310	80	41	7	30

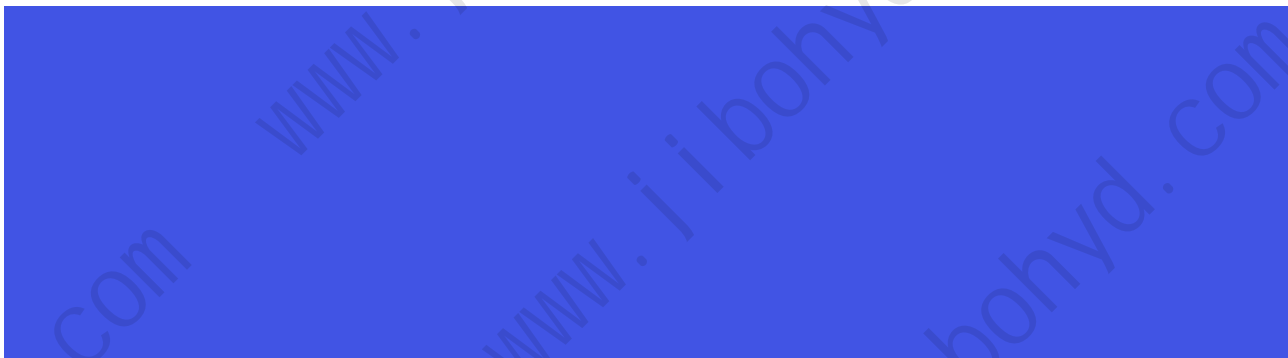


**FLOW CONTROL VALVE**  
**BIDIRECTIONAL FLOW CONTROL VALVES**

慈溪市吉博液压配件有限公司  
 CIXI JIBO HYDRAULIC PARTS CO.,LTD.



Part nº	R1	Max. flow (l/min)	Max. Press. (bar)	A	B	C	D
ECB04	1/4" BSP	12	350	62	34	4,5	19
ECB06	3/8" BSP	30	350	72	40	5,5	24
ECB08	1/2" BSP	45	310	80	41	7	30



## 慈溪市吉博液压配件有限公司

CIXI JIBO HYDRAULIC PARTS CO, LTD.

地址：浙江省慈溪市坎墩街道坎西村

ADD: Kanxi Village, Cixi City, ZheJiang, China

Mobile: +86-13306619887

Website: [Http:www.jibohyd.com](http://www.jibohyd.com)

E-mail: [sales@jibohyd.com](mailto:sales@jibohyd.com)

[hobert@vip.163.com](mailto:hobert@vip.163.com)